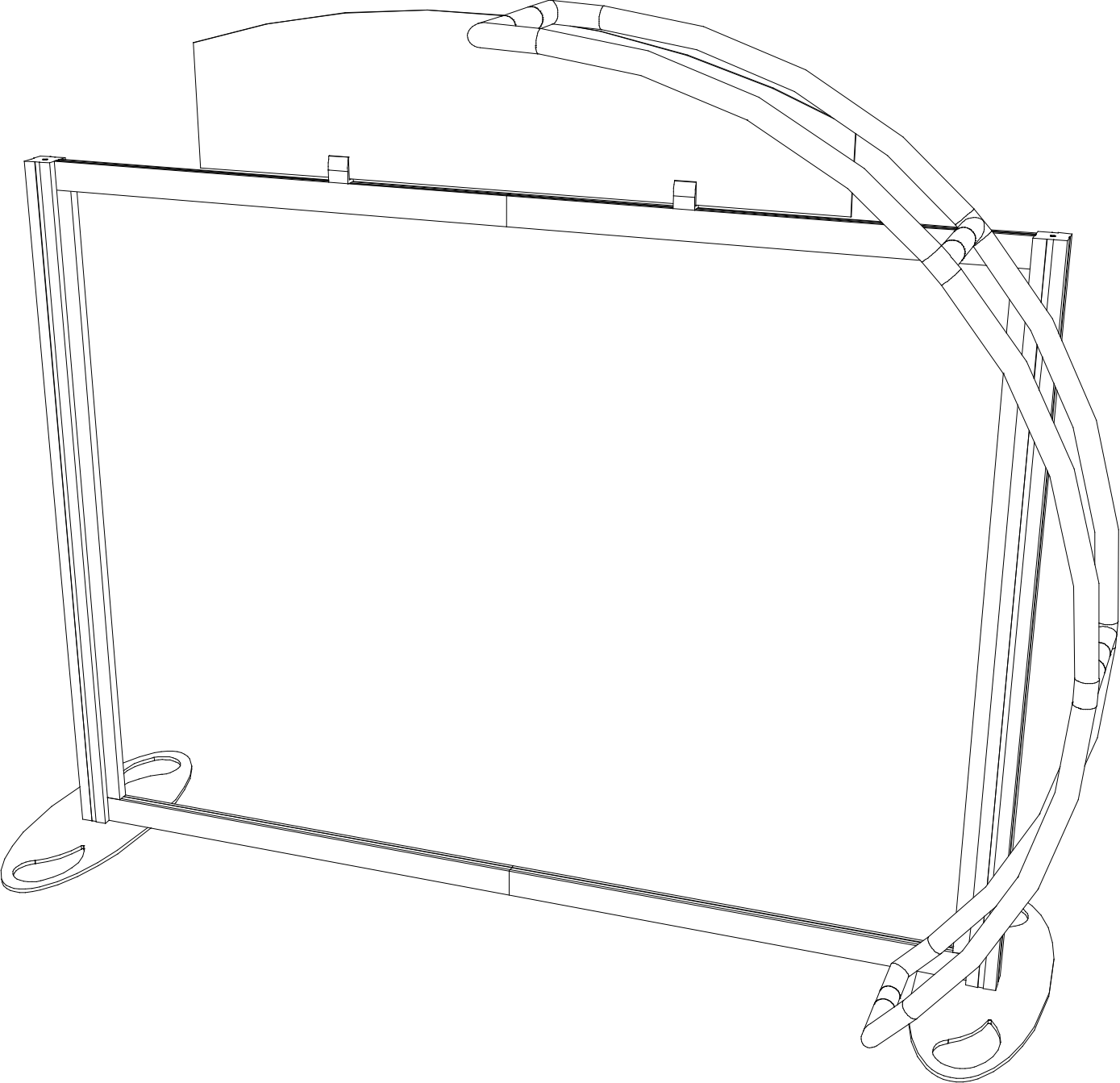
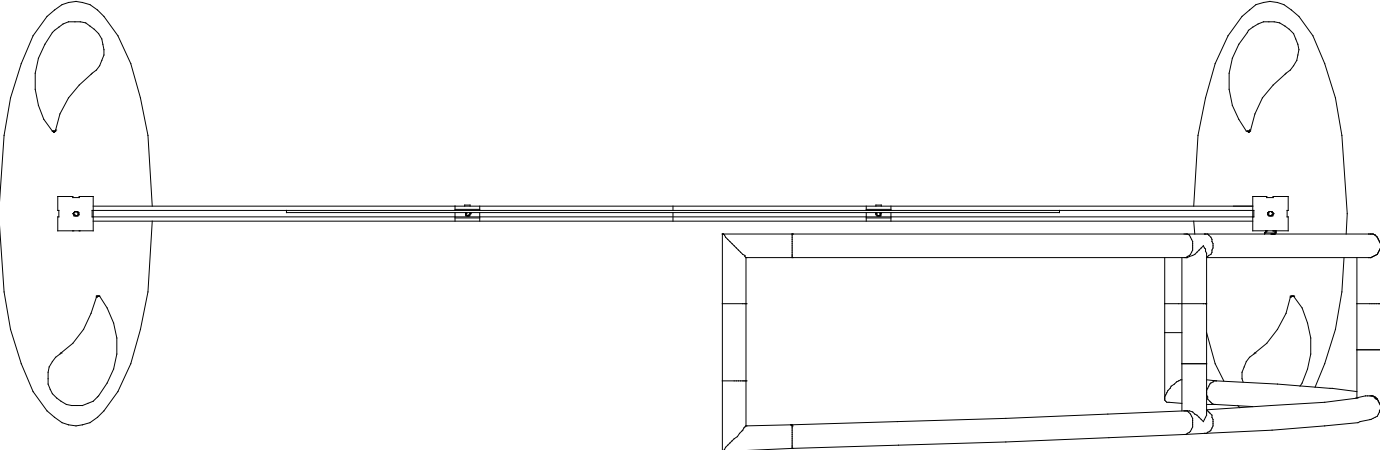


Order #45374 - Eco-104T Table Top



General Setup Instructions

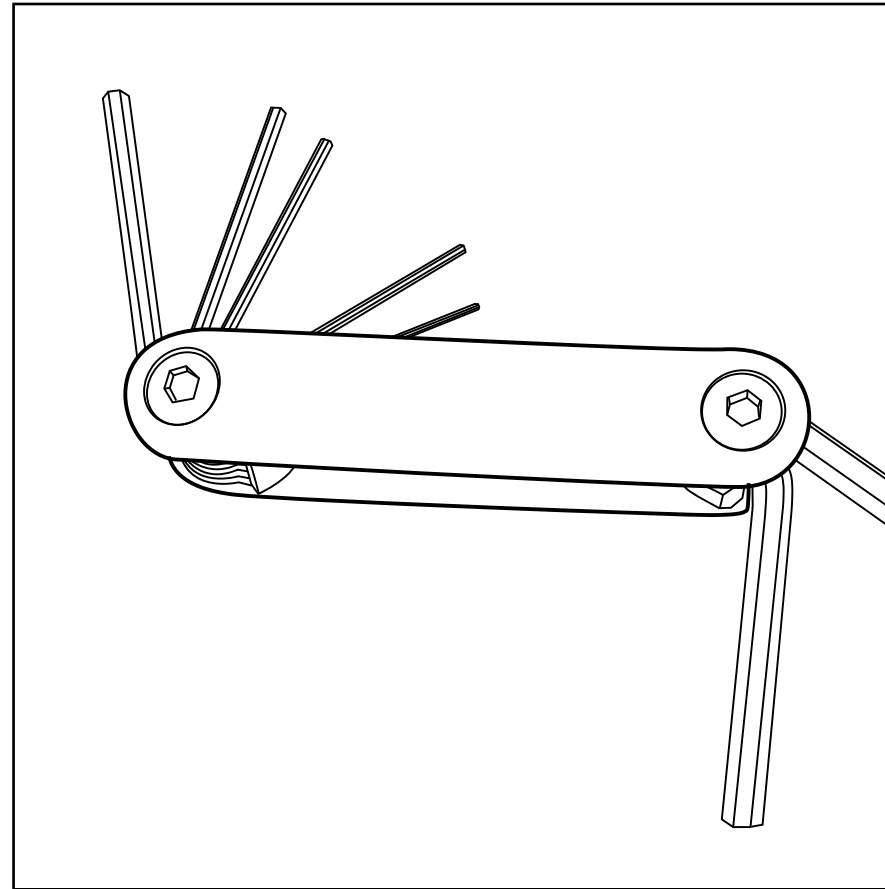
- The setup instructions are created specifically for your configuration.
- Setup instructions are laid out sequentially in levels, including exploded views and a logical series of steps for assembly. We encourage you to study the instructions before attempting to assemble your exhibit.

Cleaning and Packing

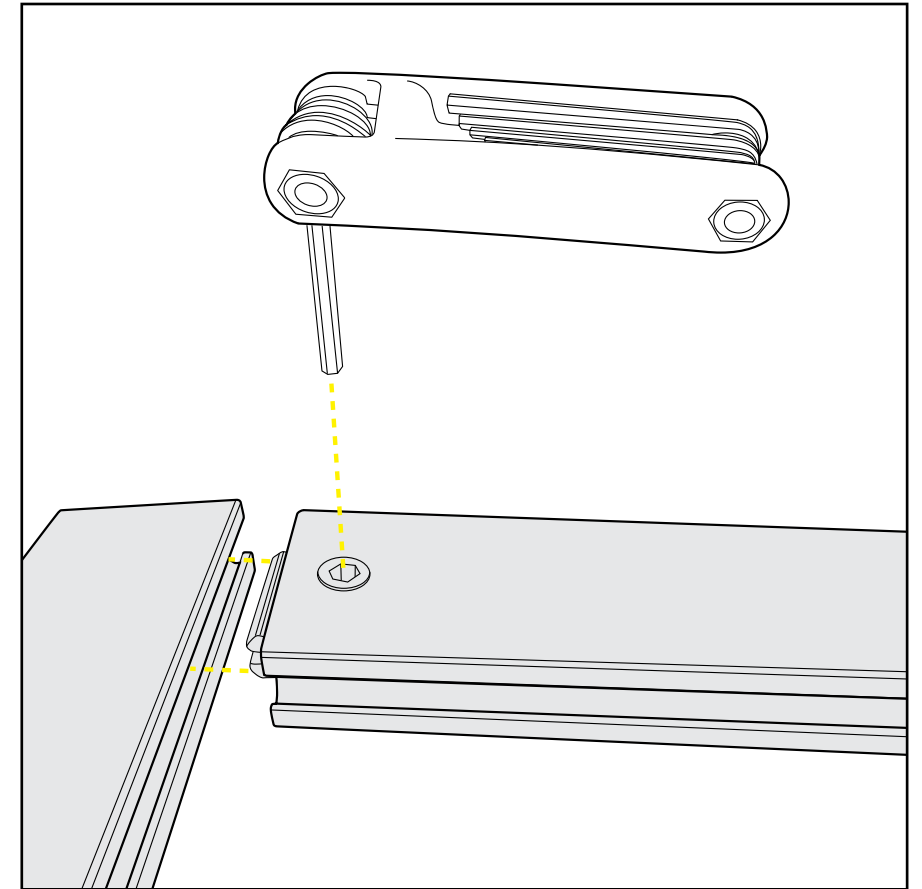
- Use non-abrasive cleaners when cleaning extrusions or ECO Glass inserts.
- Use mild cleaners and soft materials such as cotton to clean all laminates.
- Keep exhibit components away from extreme heat and long exposure to sun light. This will prevent warping and fading.
- Retain all packing material for ease of re-packing. This protects the exhibit components and keeps each part organized.

Disassembling

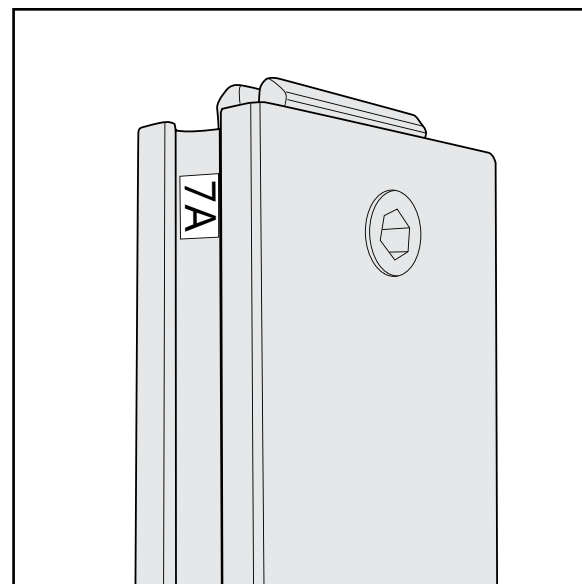
- When disassembling exhibit, tighten all setscrews to prevent loss of hardware in the shipping process.



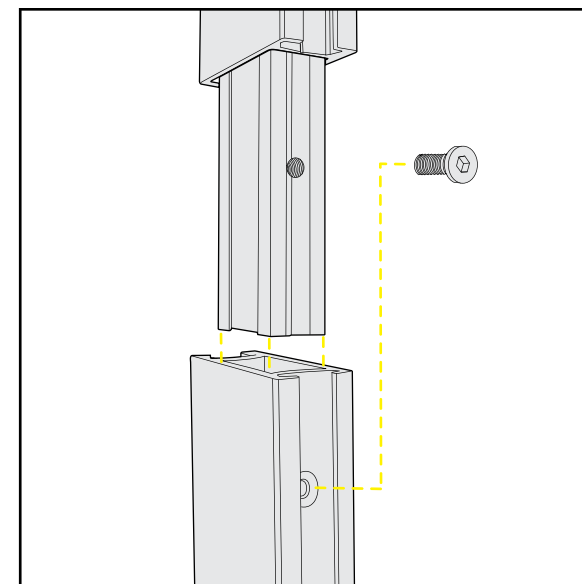
Hex Tool for Assembling Exhibit



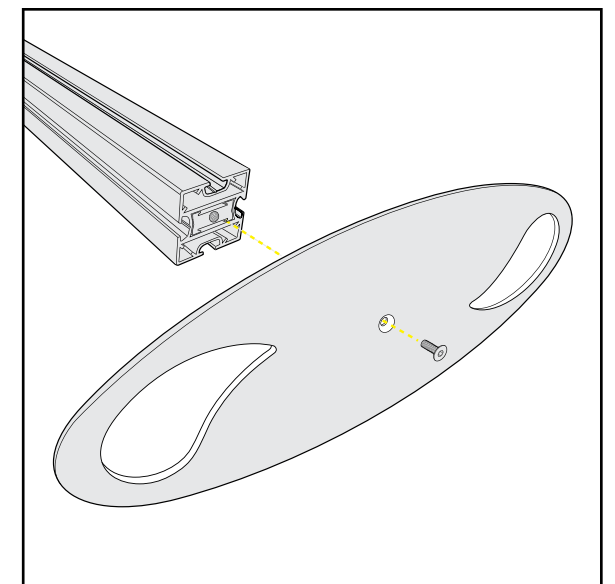
Extrusion Lock Connectors



Numbering Instructions for Setups/Packing



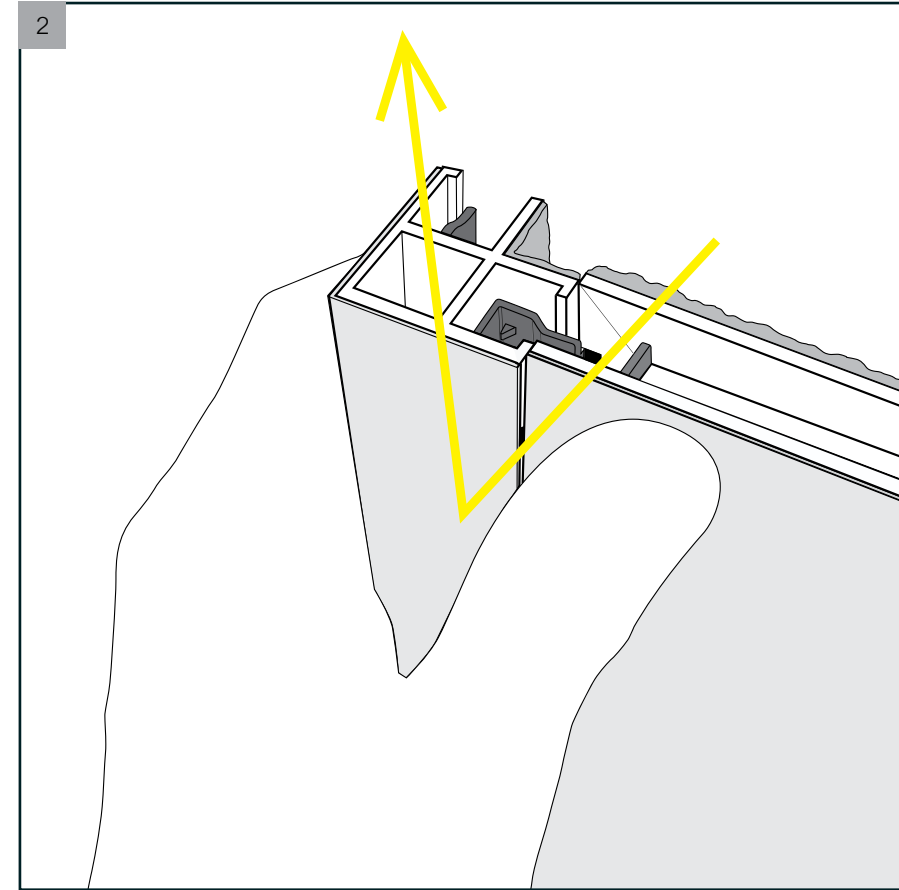
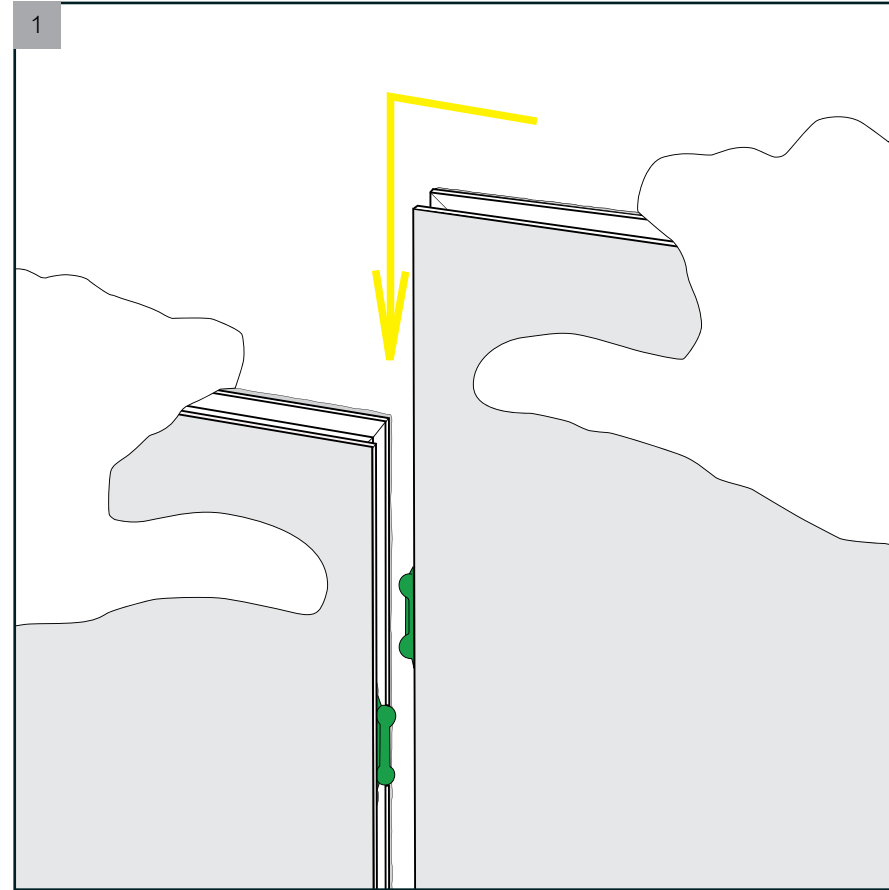
Inline Connection between Extrusions



Baseplate and Connection for Extrusions

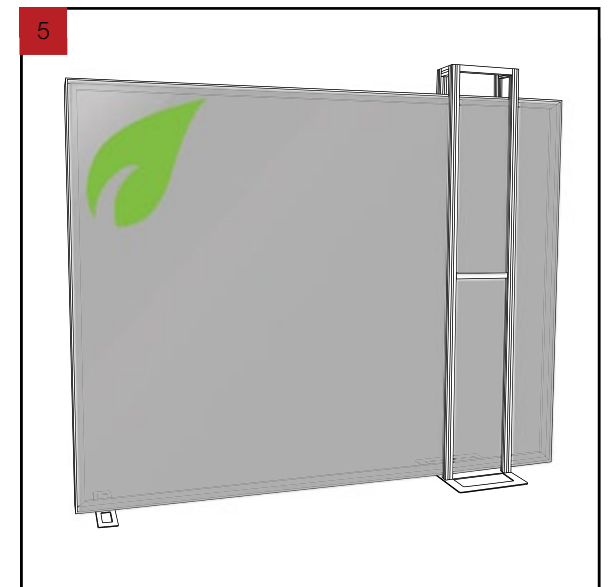
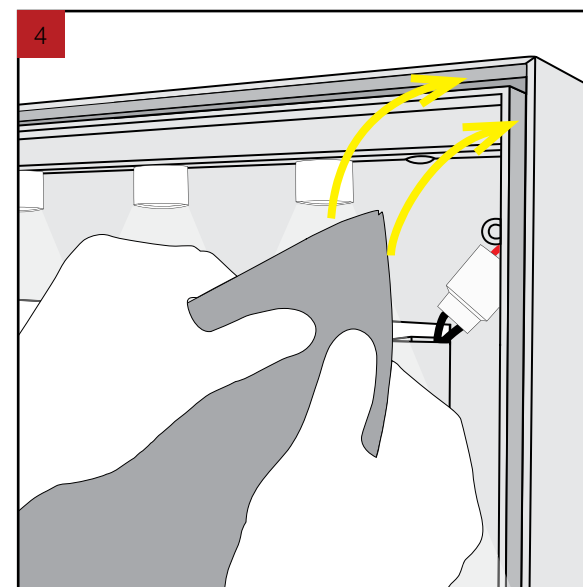
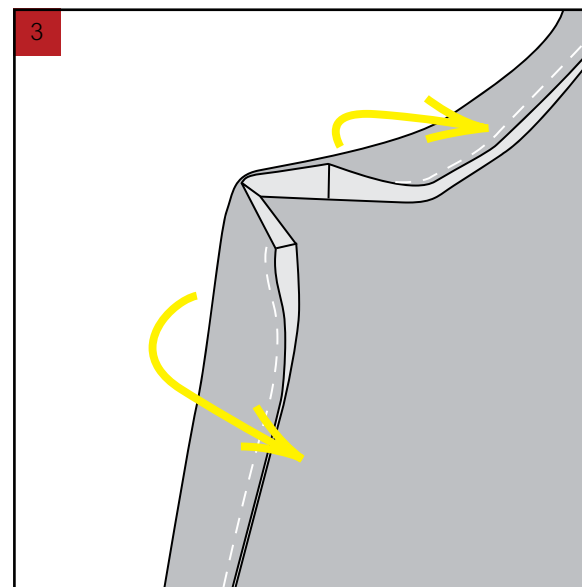
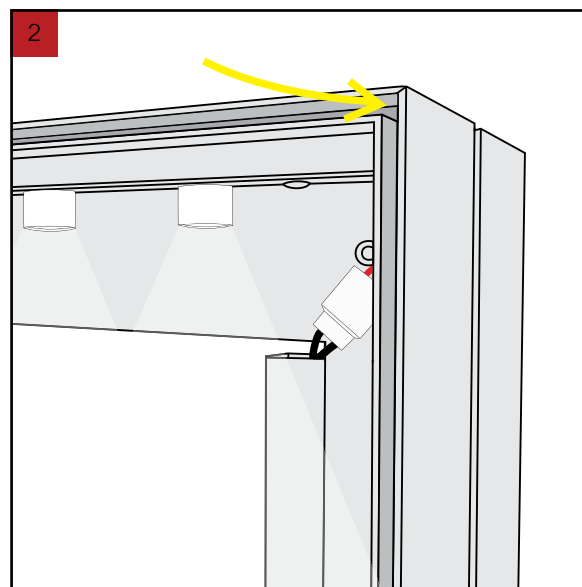
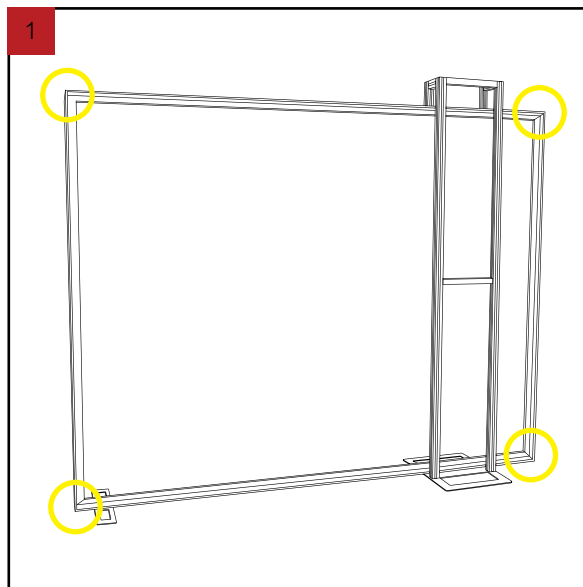
ECO Panel Install

- 1 Place ECO panel together with a vertical offset, slide down to lock connector in place.
- 2 Panel Corner Connectors are installed just like ECO panels. Remove by off-setting top lock clips horizontally followed by separating vertically.



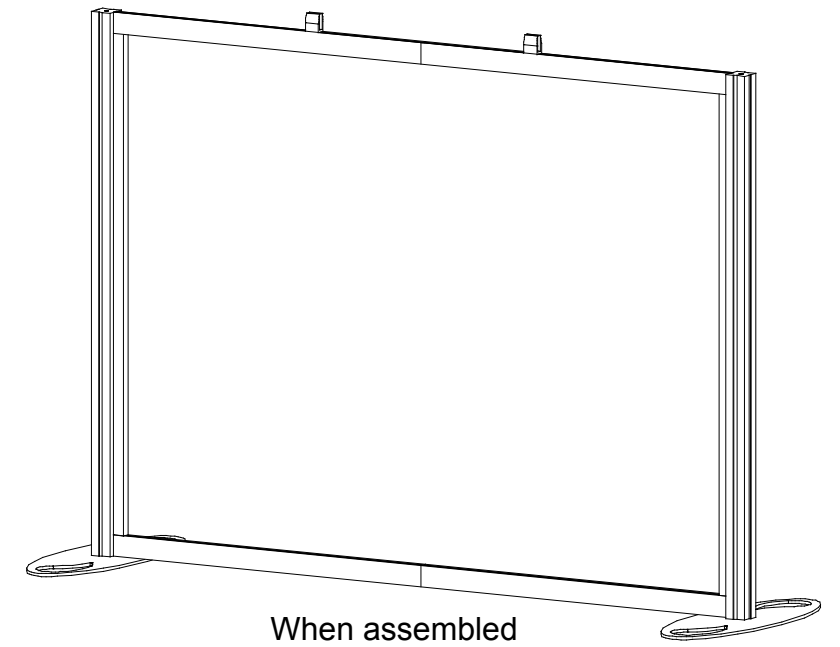
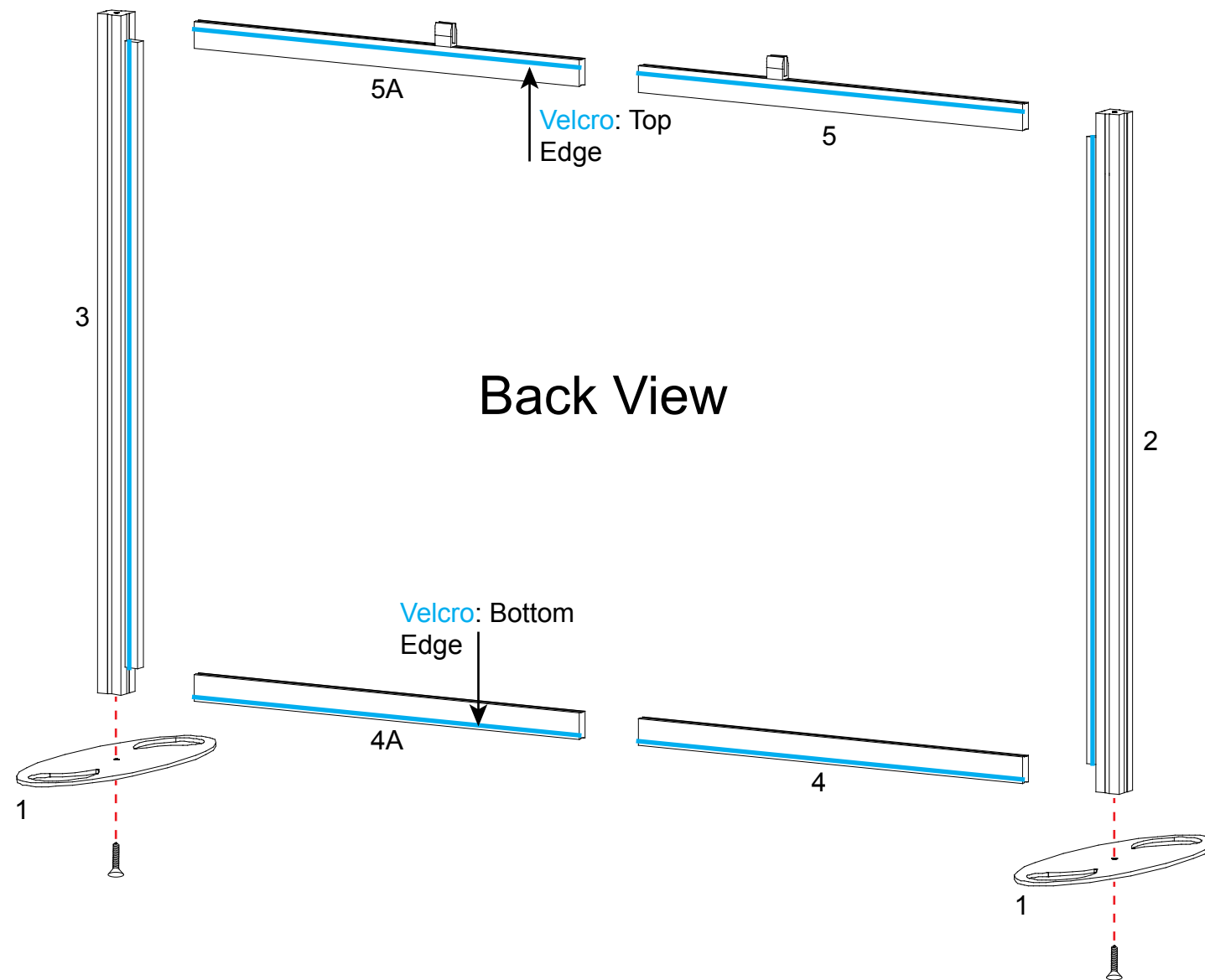
SEG Graphic Install

- 1 Graphic is installed corners first. This allows a proportional fit around the perimeter of the extrusion.
- 2 Locate channels along the edge of the extrusions.
- 3 Fold over graphic (hiding threads) and tuck silicon edge and fabric into corners.
- 4 After corners are complete, slide in the rest of the graphic into channel. (From edges to center)
- 5 Graphic is installed. Stand back and be amazed!



Item	Qty.	Description
1	2	Base Plate
2	1	Vertical Extrusion
3	1	Vertical Extrusion
4/4A	1/1	Horizontal Extrusion
5/5A	1/1	Horizontal Extrusion

- Steps:
- 1) Attach base plates to verticals.
 - 2) Connect horizontals together as shown.
 - 3) Connect lower horizontals between verticals.
 - 4) Connect upper horizontals between verticals.
 - 5) Attach graphics to velcro where indicated.



Step 1

AERO

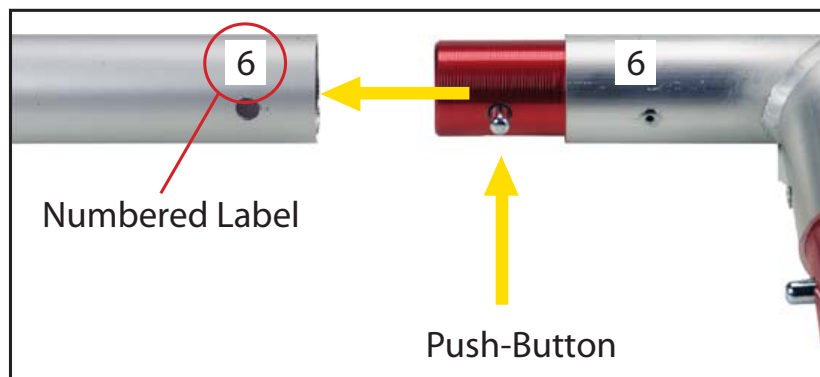
Using Your Setup Instructions

The Aero Overhead Sign Setup Instructions are created specifically for your configuration. They include an exploded view of the frame which is sequentially numbered. We encourage you to study the instructions before attempting to assemble your exhibit.

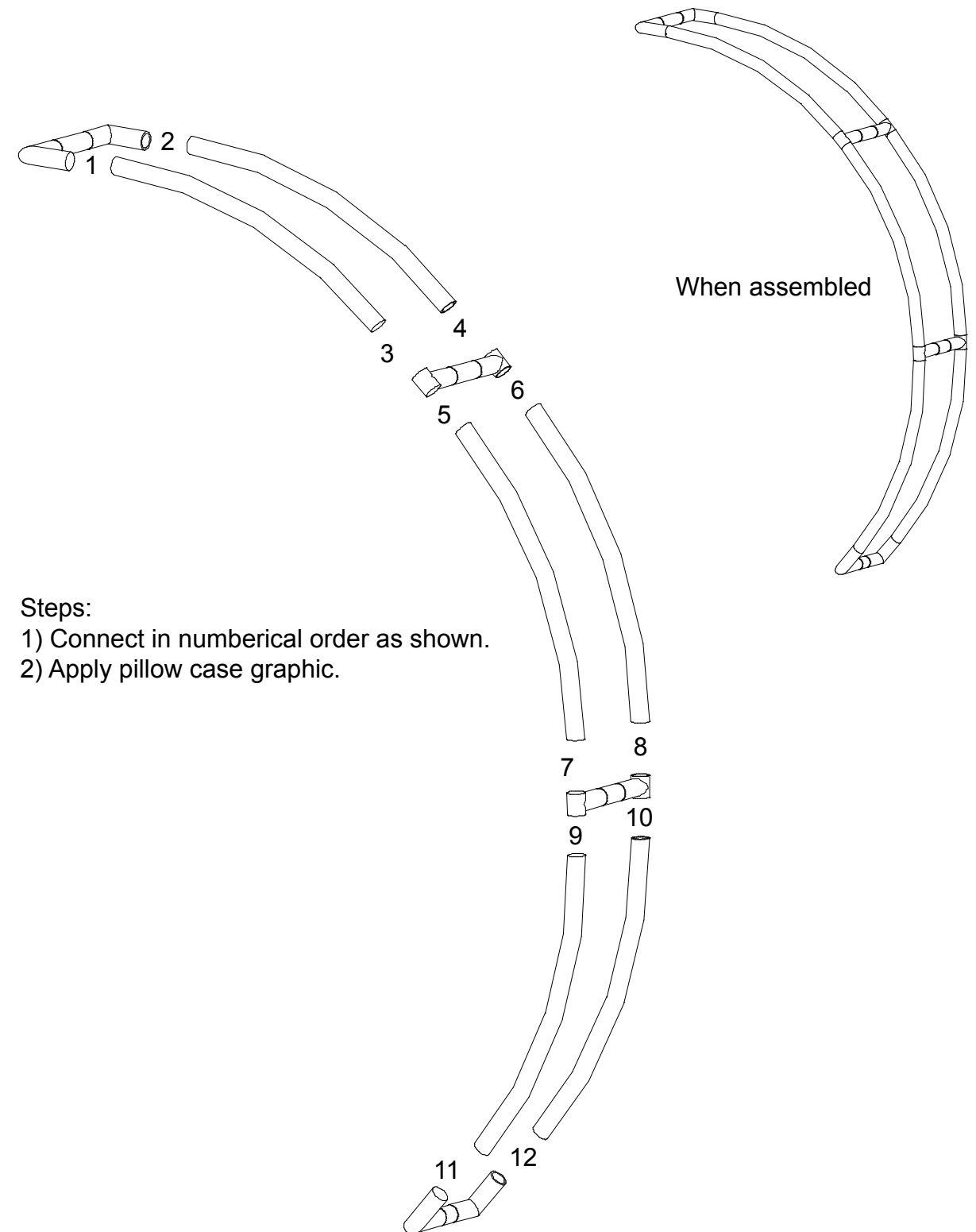
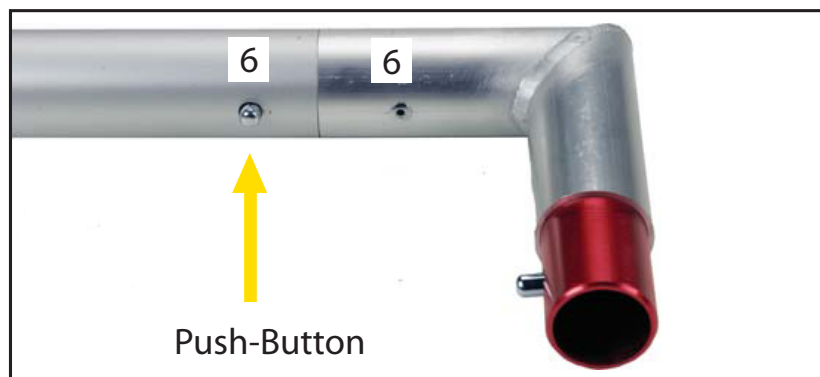
Connections are kept very simple: no tools. Everything assembles with push-button connectors and pre-connected horizontal sections.

Cleaning and Packing Your Display

- 1) Use care when cleaning aluminum extrusion or acrylic inserts. Use only non-abrasive cleaners.
- 2) Retain all packing material. It will make re-packing much easier and will reduce the likelihood of shipping damage.



Connections are made by holding the button down and sliding the red tube into opposing tube until the connection is made. To disassemble push button and pull or twist extrusions apart.

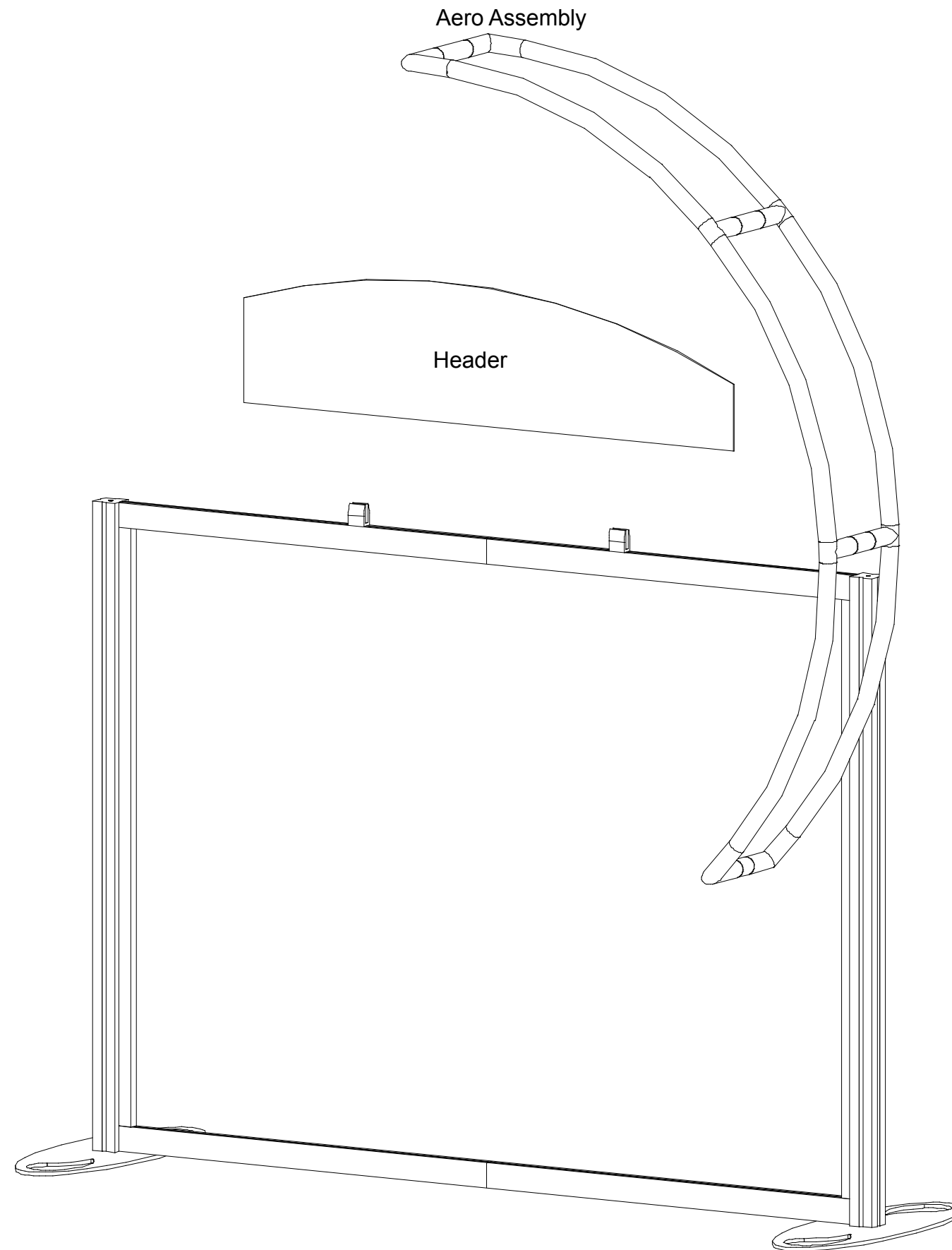


Steps:

- 1) Connect in numerical order as shown.
- 2) Apply pillow case graphic.

Step 2

- Steps:
- 1) Attach header to A10 clamps as shown in detail.
 - 2) Slide aero frame into groove of vertical.



Example of A10 Clamp Attachment

Slide connector on back of A10 clamp into groove of extrusion.

When desired location is found, tighten set screw to secure.

Tighten knob to secure shelf/wing in place.

This inset diagram shows a close-up of an A10 clamp being attached to an extrusion. A red arrow points to the connector being slid into a groove. A second diagram shows the clamp with a set screw being tightened, and a knob being turned to secure a shelf or wing.

Order #45374 -
Setup file can be found online at
www.ecosystemdisplays.com